

# SPECTROLINE® CORD REEL

## 35 Feet, Retractable

### INSTALLATION

#### Lamp-Ballasted Models (Ceiling Mount)

- Select a location within 2 feet (0.6 m) of an electrical outlet.
- Using the 6-foot (1.8 m) chain provided, suspend the lamp assembly from a suitable ceiling mount.

#### Self-Ballasted Models (Ceiling or Wall Mount)

- Select a location within 2 feet (0.6 m) of an electrical outlet.
- Remove the reel from the bracket assembly by depressing the release button on bracket A and sliding bracket B out of the way.
- Secure bracket A to a stud or joist using the #12 screws supplied. Use all 3 screws to ensure security of the bracket.
- Place the reel in bracket A. Place bracket B into bracket A until a click is heard. The reel is now securely locked in the bracket.

### OPERATION

- Connect the primary cord to a power outlet that complies with the requirements listed on the lamp. **See the operating instructions for the lamp enclosed for full information.**
- Pull the cord out to desired length and stop. If the cord does not hold, continue to pull the cord slowly, stopping every 4 inches (10 cm). This will engage the lock. To retract, pull the cord out 2 to 4 inches (5 to 10 cm) and guide the cord slowly back into the reel.

- **Do not pull hard on the cord when it is fully extended to 35 feet.** This will cause malfunction of the retracting spring.
- **Do not allow the cord to fly unrestricted back into the reel.**

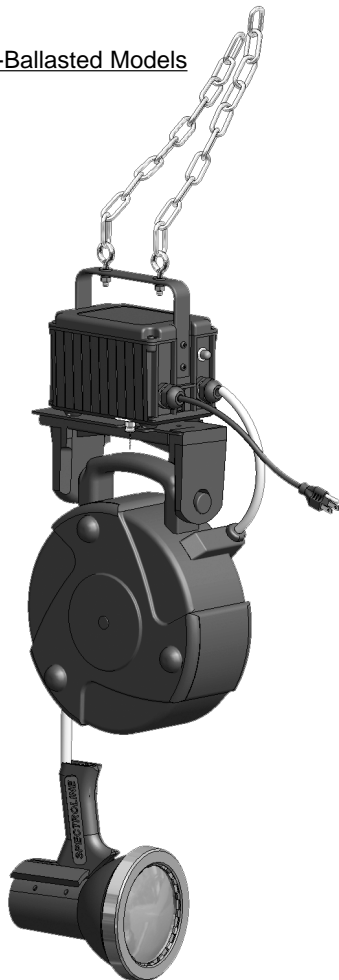
### MAINTENANCE

- Remove dirt and grime as soon as it accumulates on reel case. Wipe clean with a dampened cloth. **Do not use solvents such as gasoline, turpentine, etc., to clean the unit.**
- Keep the cord clean to ensure smoothest automatic retraction. Pull the cord to its full length and allow it to retract through a clean, dampened cloth. Pull out the full length again and allow it to retract through a clean, dry cloth sprinkled with talcum powder.

### GENERAL SAFETY INFORMATION

- This unit should be used indoors. Do not use near potentially dangerous locations such as flammable or explosive atmospheres or near water.
- Use only 3-wire extension cords that have 3-prong grounding plugs and 3-pole receptacles that accept the unit's plug.
- Disconnect the unit from the power supply before servicing or inspecting it for any reason.

Lamp-Ballasted Models



Self-Ballasted Models

